

Order form

Name: _____ Phone: _____ Email: _____

Address: _____ Event date: _____ Est # guest: _____

Occasion/theme: _____ Tiers requested: _____ Round Square Sheet

Size: _____

Sponge: _____

Buttercream: _____

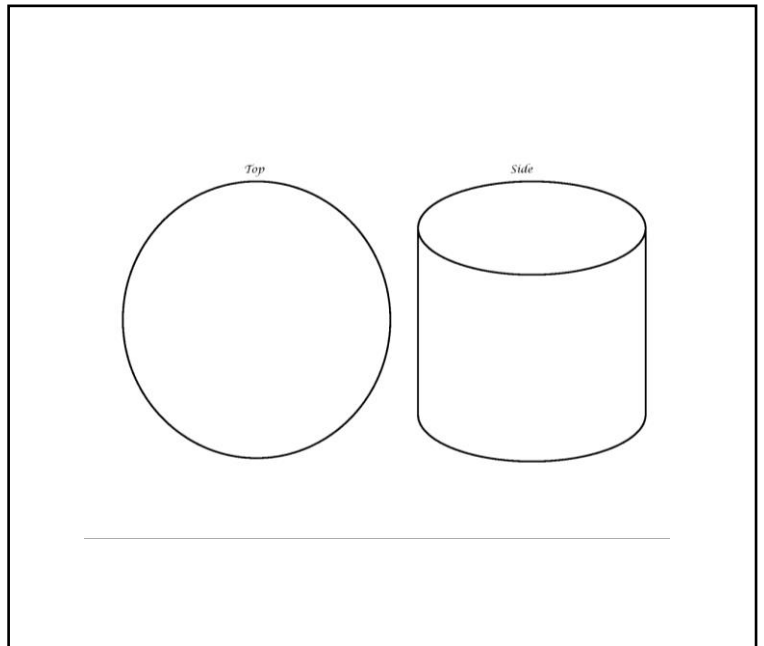
Drip: _____

Sprinkles: _____

Lustre dust: _____

Colours: _____

Cake board: _____



Add on: Pipped flowers, filling, Nutella fountain, standard cake topper, custom cake topper, balloons, candles, gift wrap, hire display ware.

Details: _____

Description	Quantity	Unit price	Total

Payment method: Cash/bank transfer

Subtotal
 GST
 Delivery

Terms & conditions:

Full payment is required at least 48 hours prior to requested date to confirm order.
 Minimum 7 days notice required for order changes to be approved and processed.
 50% penalty on deposit amount for cancelled orders with less than 10 days notice.
 Deposit amount on rental items subjective to type of item, refunded upon return.
 Please note: the colour of the buttercream requested is defined under daylight. We are not responsible for the perceived change in colour affected by the choice of your event lighting. Allow for slight colour variations.
 Payment is indicative of the agreement to the above terms and conditions.

Sarah Pineda BSB: 923 100
 ACC: 6704 1031

Total

Customer signature: _____

Sarah Pineda: _____